

Mercedes-Benz L MEGASPACE 6x2 MEILLER HOOK-ARM SYSTEM (EPS WITH CLUTCH / STEEL SUSPENSION FRONTAXLE / AIRCONDITIONING)

GENERAL INFORMATION

ID	SN 56011727
Year	2000
Mileage	977.000 km
Construction	Hook arm system
Emissionclass	3

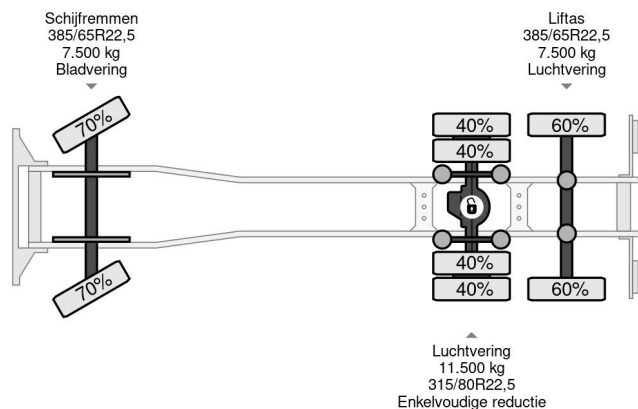
TECHNICAL INFORMATION

First registration date	25-10-2000
Fuel	Diesel
Transmission	Semi-automatic
Vehicle identification number	WDB9502031K521727
Axle configuration	6x2
Weight	11.495 kg
Load capacity	14.505 kg
Gross weight	26.000 kg
Cylinder count	6
Wheelbase	480



Mercedes-Benz Actros 2543 L MEGASPACE 6x2 MEILLER ...

Referentienummer: SN 56011727



ACCESSORIES

- Air conditioning • Airhorns on cabin • Aluminium fuel tank
- Anti-lock braking system • Anti-lock braking system • ASR
- Controlled slip differential • Coupling • Cruise control •
- Electrically adjustable door mirrors • Electric windows •
- EPS with Clutchpedal • Heated mirrors • Heated seat •
- Hydraulic Kit • Lift axle • Luxery driversseat • Power take-off (PTO) • PTO • Radio/CD player • Roof spoiler •
- Sleeper cab • Speed limiter • Spotlights • Toolbox •
- Vehicle heater • Visor

DESCRIPTION

Damages: none

GOOD CONDITION MERCEDES-BENZ ACTROS 2543L 6x2 CHASSIS WITH MEILLER HOOK-ARM SYSTEM, EPS WITH CLUTCH, STEEL-/AIRSUSPENSION & AIRCONDITIONING!!

430HP, V6 ENGINE, EURO 3!!

EPS GEARBOX WITH CLUTCH (3 PEDALS)!!

STEEL SUSPENSION FRONT-AXLE!!

SUNVISOR!!

COMPLETE SPOILERSET!!

ETC.!!

MEILLER RK19.65S HOOK-ARM SYSTEM!!

SIZE; LENGTH Ca.: 6.00 m. !!

TRUCK IS IN GOOD DRIVING & WORKING CONDITION,

READY FOR THE HEAVY JOBS!!

MORE MERCEDES-BENZ (CONSTRUCTION) TRUCKS IN STOCK FOR SALE!! (>75 TRUCKS/TRAILERS IN STOCK)!!

SHIPMENT, STACKING, TRANSPORT, TRANSIT REGISTRATION OR LOADING?, NO PROBLEM FOR US, WE ARE AN "ONE STOP SHOP" COMPANY!!

CHECK FOR OUR ACTUAL STOCK OUR WEBSITE; WWW.ENGEL-TRUCKS.COM

YOU CAN ALSO CHECK OUR COMPANY MOVIE ON YOUTUBE FOR THE FIRST IMPRESSION!!
(<https://drone-pro.nl/project/video-engel-trucks-bv-2017/>)

ENGEL TRUCKS; "YOUR GLOBAL TRADING PARTNER"